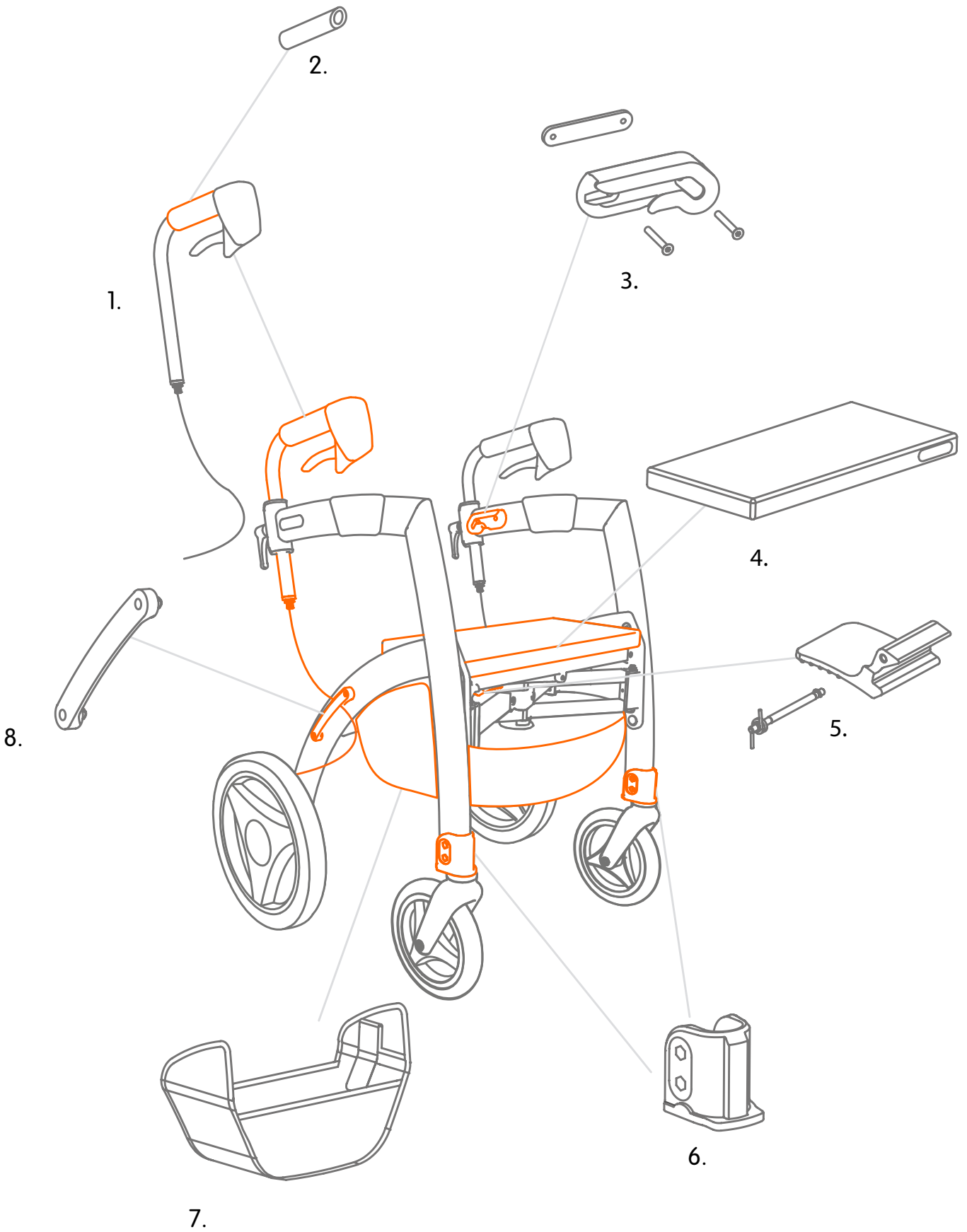
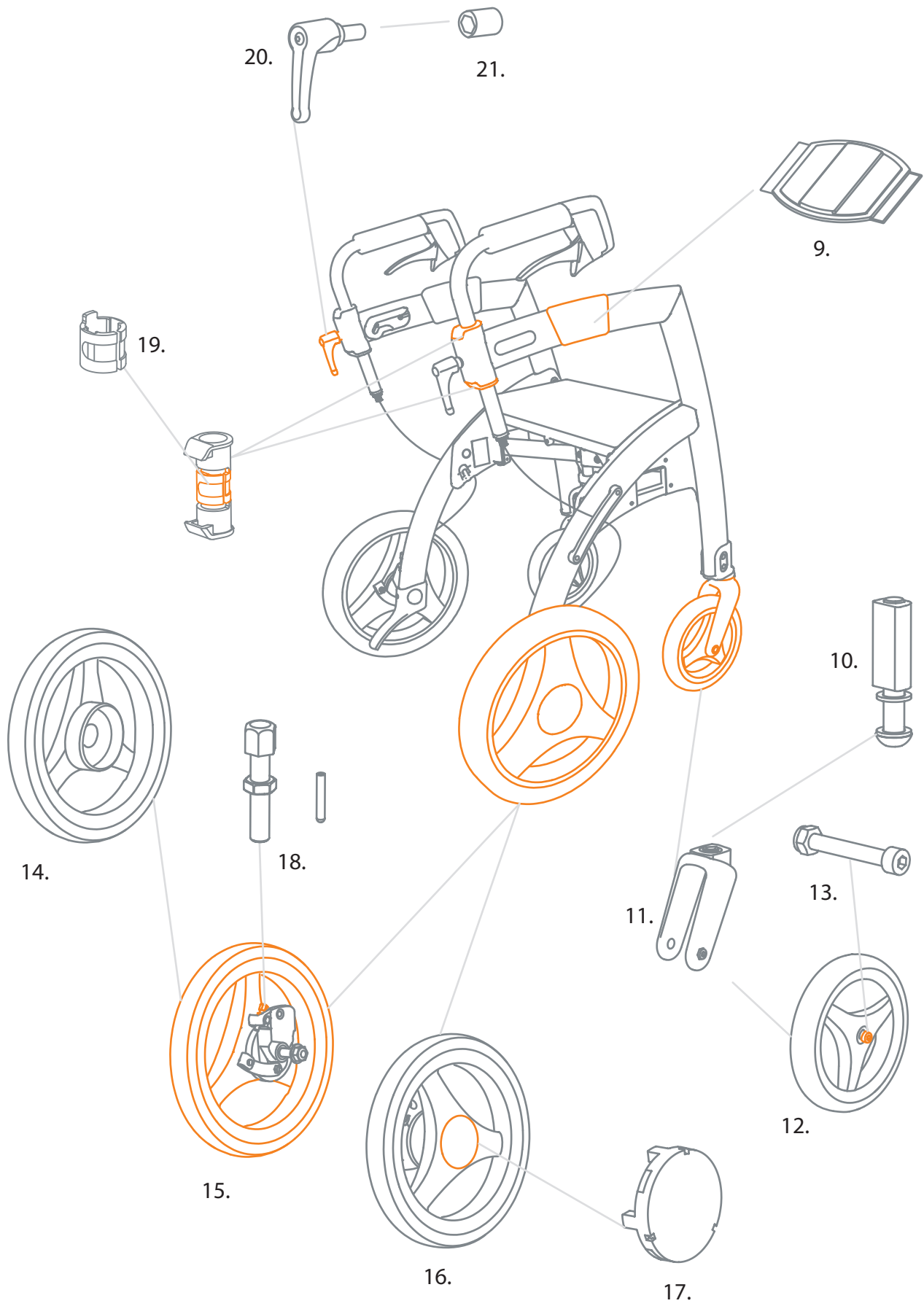


# **Rollz Motion /Rhythm/Performance**

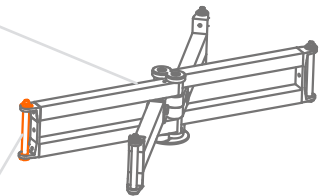
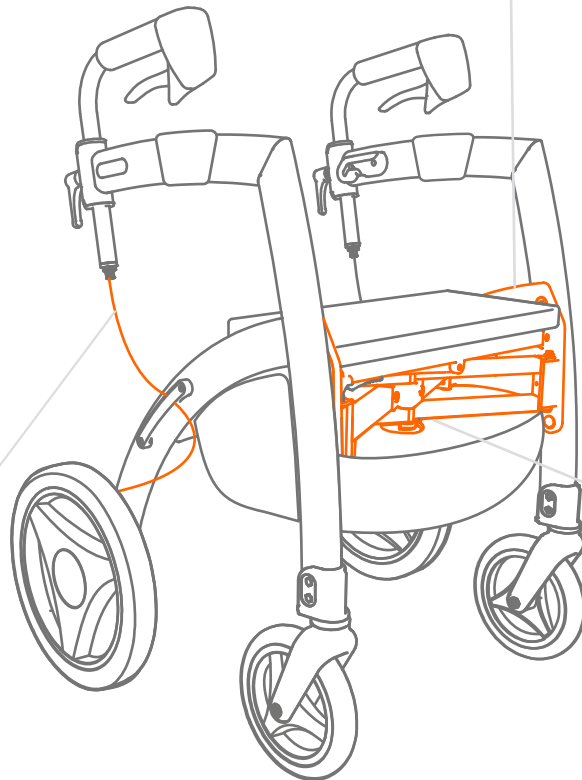
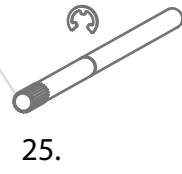
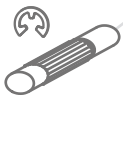
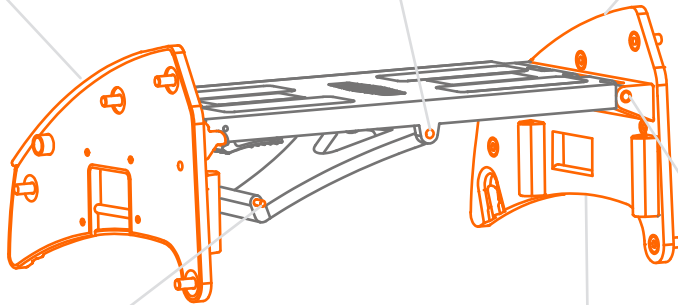
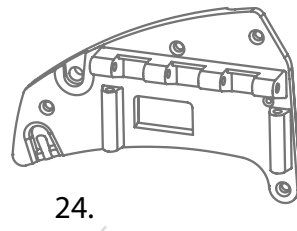
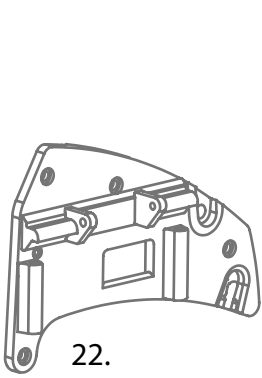
**Service parts**



No.	Item code	Description	Quantity
1.	2030RM0007	Rollz Motion handgrip	1pc
	2030RM0077	Rollz Motion Rhythm handgrip left	1pc
	2030RM0078	Rollz Motion Rhythm handgrip right	1pc
2.	2030RM0041	Rollz Motion handgrip foam	1pc
	2030RM0074	Rollz Motion Performance handgrip foam	1pc
3.	2030RM0036	Rollz Motion wheelchair package guide left	1pc
		Wheelchair package guide left, 2x screw, locking plate	
	2030RM0037	Rollz Motion wheelchair package guide left	1pc
		Wheelchair package guide right, 2x screw, locking plate	
4.	1030RM0002	Rollz Motion seat cushion	1pc
	1030RM0019	Rollz Motion Performance seat cushion	1pc
5.	2030RM00025	Rollz Motion folding mechanism red locking lever	1pc
		Locking lever, axle, 2x retaining ring, spring	
6.	2030RM0035	Rollz Motion footrest holder left	1pc
		Footrest holder, 2x screw, 2x nut	
	2030RM0058	Rollz Motion footrestholder right	1pc
		Footrest holder, 2x screw, 2x nut	
7.	2030RM0087	Rollz Motion seat bag	1pc
	2030RM0073	Rollz Motion Performance seat bag	1pc
8.	2030RM0038	Rollz Motion cable guard	1pc
		Cable guard, 2x screw	



No.	Item code	Description	Quantity
9.	1030RM0003	Rollz Motion armrest	1pc
	2030RM0021	Rollz Motion Performance armrest	1pc
10.	2030RM0047	Rollz Motion front wheel mount	1pc
11.	2030RM0056	Rollz Motion front fork	1pc
12.	2030RM0055	Rollz Motion front wheel	1pc
		Front wheel, frontwheel axle (screw, nut)	
	2030RM0075	Rollz Motion Performance front wheel	1pc
		Front wheel, frontwheel axle (screw, nut)	
13.	2030RM0057	Rollz Motion folding mechanism red locking lever	1pc
		Screw, nut	
14.	2030RM0050	Rollz Motion rear wheel excluding drum brake	1pc
15.	2030RM0051	Rollz Motion rear wheel including drum brake L	1pc
		Wheel, axle, nut, wheel cap, drum brake assembly	
	2030RM0062	Rollz Motion Performance rear wheel including drumbrake L	1pc
		Wheel, axle, nut, wheel cap, drum brake assembly	
16.	2030RM0052	Rollz Motion rear wheel including drum brake R	1pc
		Wheel, axle, nut, wheel cap, drum brake assembly	
	2030RM0068	Rollz Motion Performance rear wheel including drum brake R	1pc
		Wheel, axle, nut, wheel cap, drum brake assembly	
17.	2030RM0057	Rollz Motion rear wheel cap	1pc
18.	2030RM0059	Rollz Motion lower brake adjustment screw	1pc
		Adjustment screw, calbe end	
19.	2030RM0014	Rollz Motion handgrip rotation limiter	1pc
		Plastic bush, 2x metal plate	
20.	1030RM0006	Rollz Motion handgrip adjustment lever	1pc
21.	2030RM0016	Rollz Motion handgrip adjustment lever bush	1pc



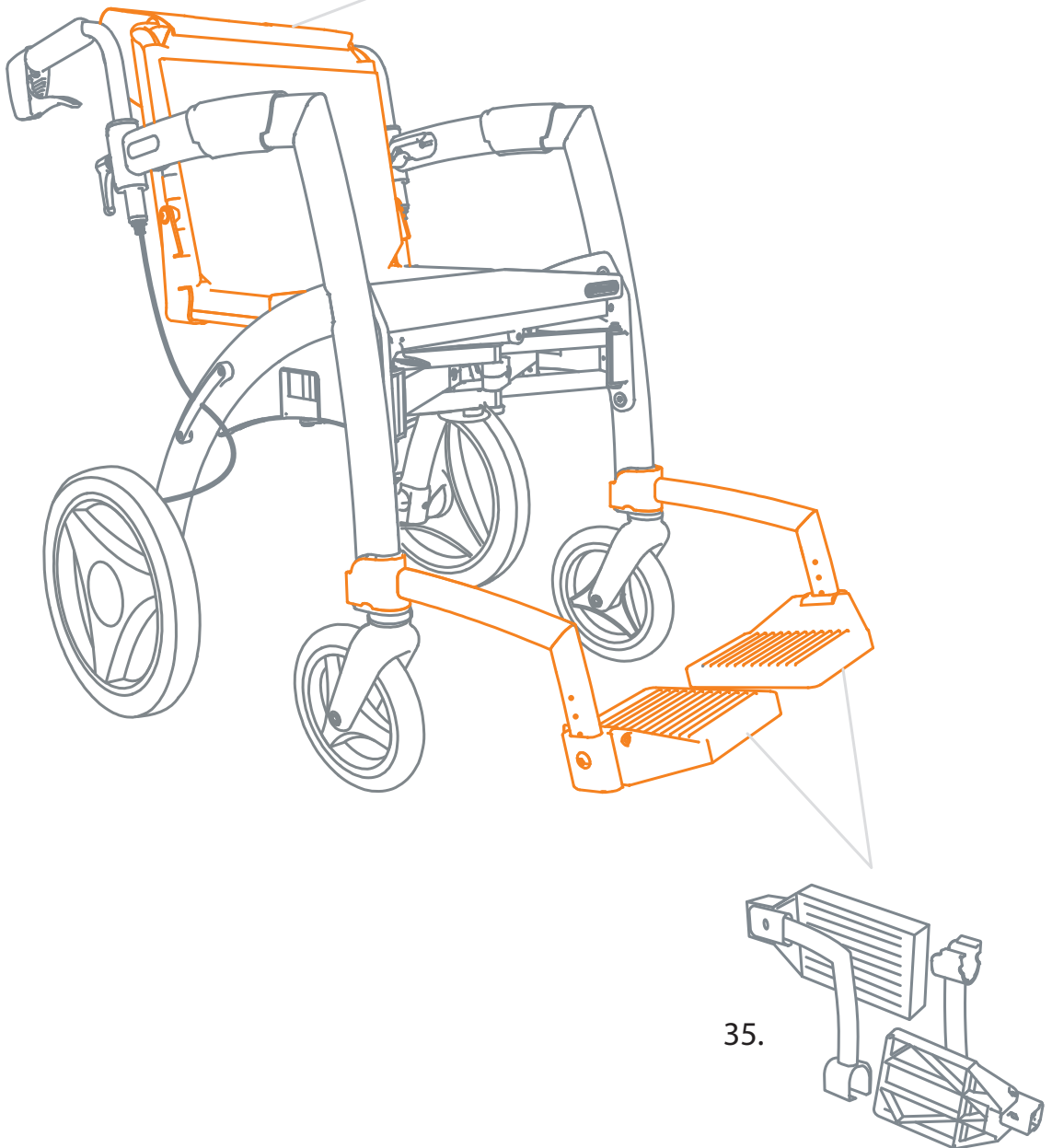
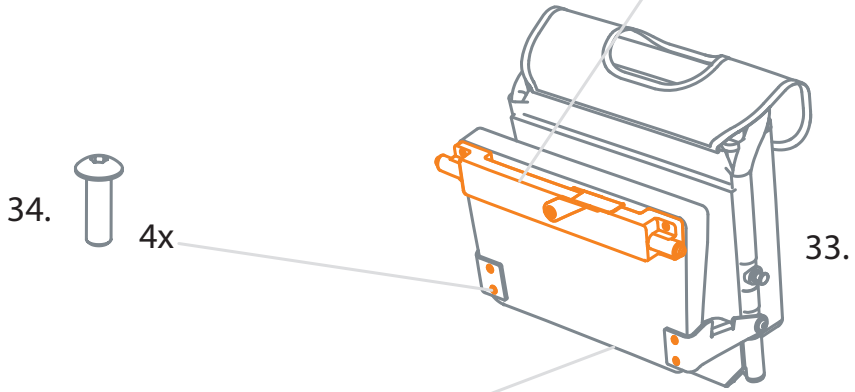
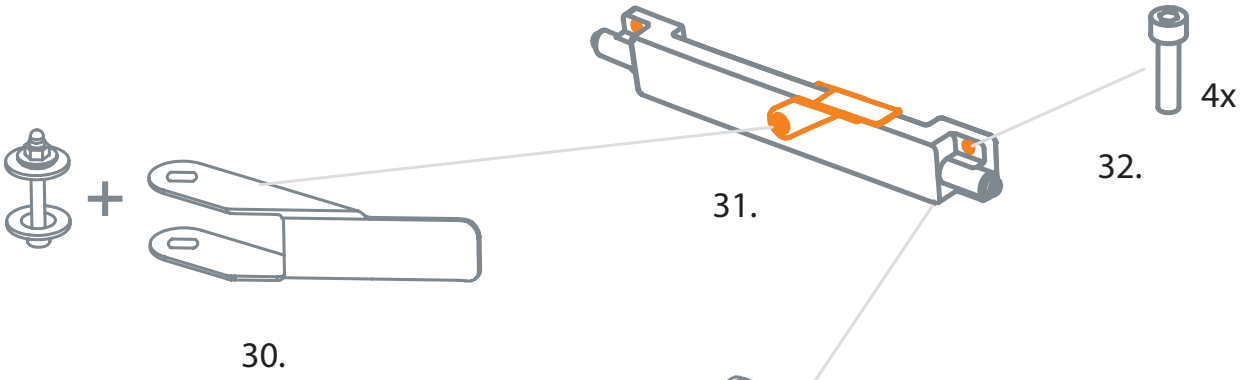
28.

26.



27.

No.	Item code	Description	Quantity
22.	2030RM0040	<b>Rollz Motion side plate R</b>	1pc
		Side plate, side plate cover, 4x screw, seat plate axle, retaining ring	
23.	2030RM0020	<b>Rollz Motion seat plate centre axle</b>	1pc
		Axle, retaining ring	
24.	2030RM0039	<b>Rollz Motion side plate L</b>	1pc
		Side plate, side plate cover, 4x screw, seat plate axle, retaining ring	
25.	2030RM0022	<b>Rollz Motion seat side axle L</b>	1pc
		Axle, retaining ring	
26.	1030RM00013	<b>Rollz Motion hinge assembly</b>	1pc
		Hinge, 4 x side axle, 4 x washer, 4x locking nut	
27.	2030RM0054	<b>Rollz Motion hinge side axle</b>	1pc
		Side axle, washer, locking nut	
28.	2030RM0032	<b>Rollz Motion inner brake cable</b>	1pc
		Inner brake cable, cable end	
29.	2030RM0024	<b>Rollz Motion seat side axle R</b>	1pc
		Axle, retaining ring	





No.	Item code	Description	Quantity
30.	2030RM0026	<b>Rollz Motion wheelchair package red locking lever</b>	1pc
		Red lever, 1x screw, 2x washer, locking cap nut	
31.	2030RM0034	<b>Rollz Motion wheelchair package locking mechanism</b>	1pc
		Locking mechanism, 4x screw	
32.	2030RM0030	<b>Rollz Motion wheelchair package locking mechanism screws</b>	4pcs
33.	1020RM0001	<b>Rollz Motion wheelchair package exluding footrests</b>	1pc
	1020RM0022	<b>Rollz Motion Performance wheelchair package exluding footrests</b>	1pc
34.	1030RM0029	<b>Rollz Motion wheelchair package rear screws</b>	4pcs
35.	1030RM0018	<b>Rollz Motion footrests</b>	2pcs
	1030RM0020	<b>Rollz Motion Performance footrests</b>	